

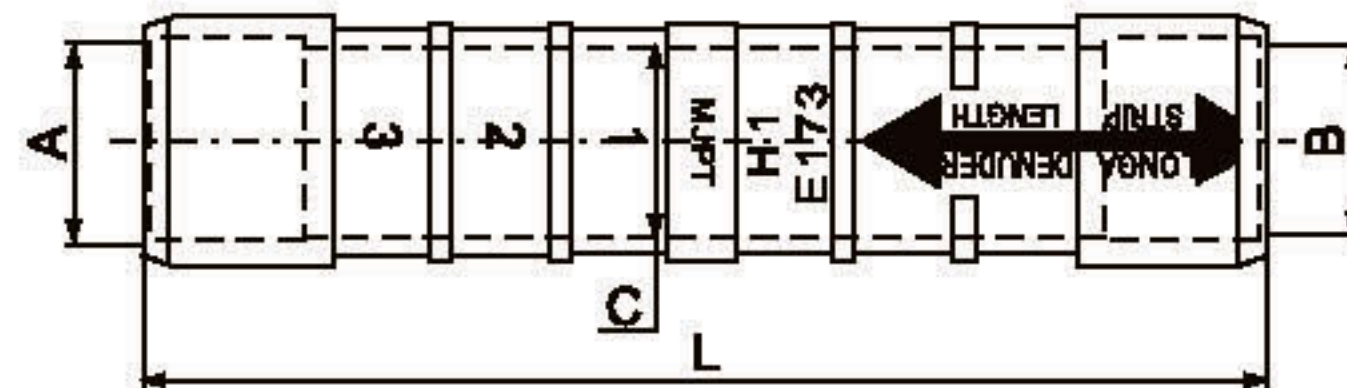
B114 PRE-INSULATED SLEEVE MJPT , BIMETAL SLEEVE CPTAU

B



Material: Aluminum alloy

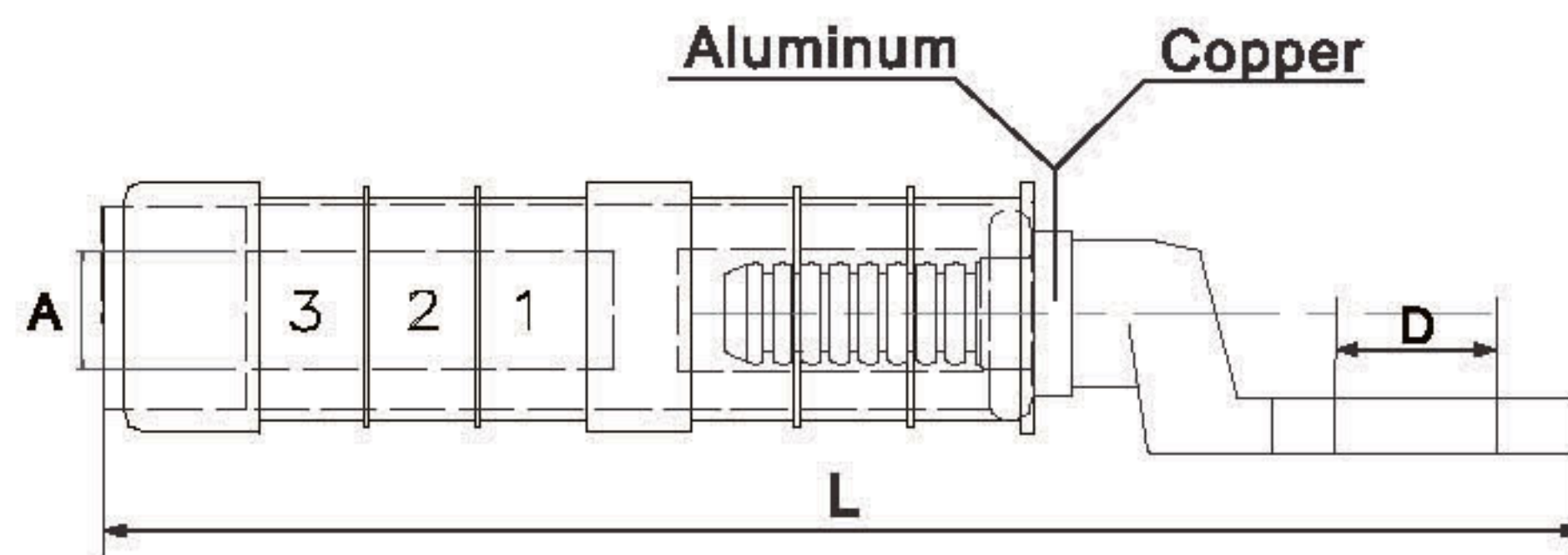
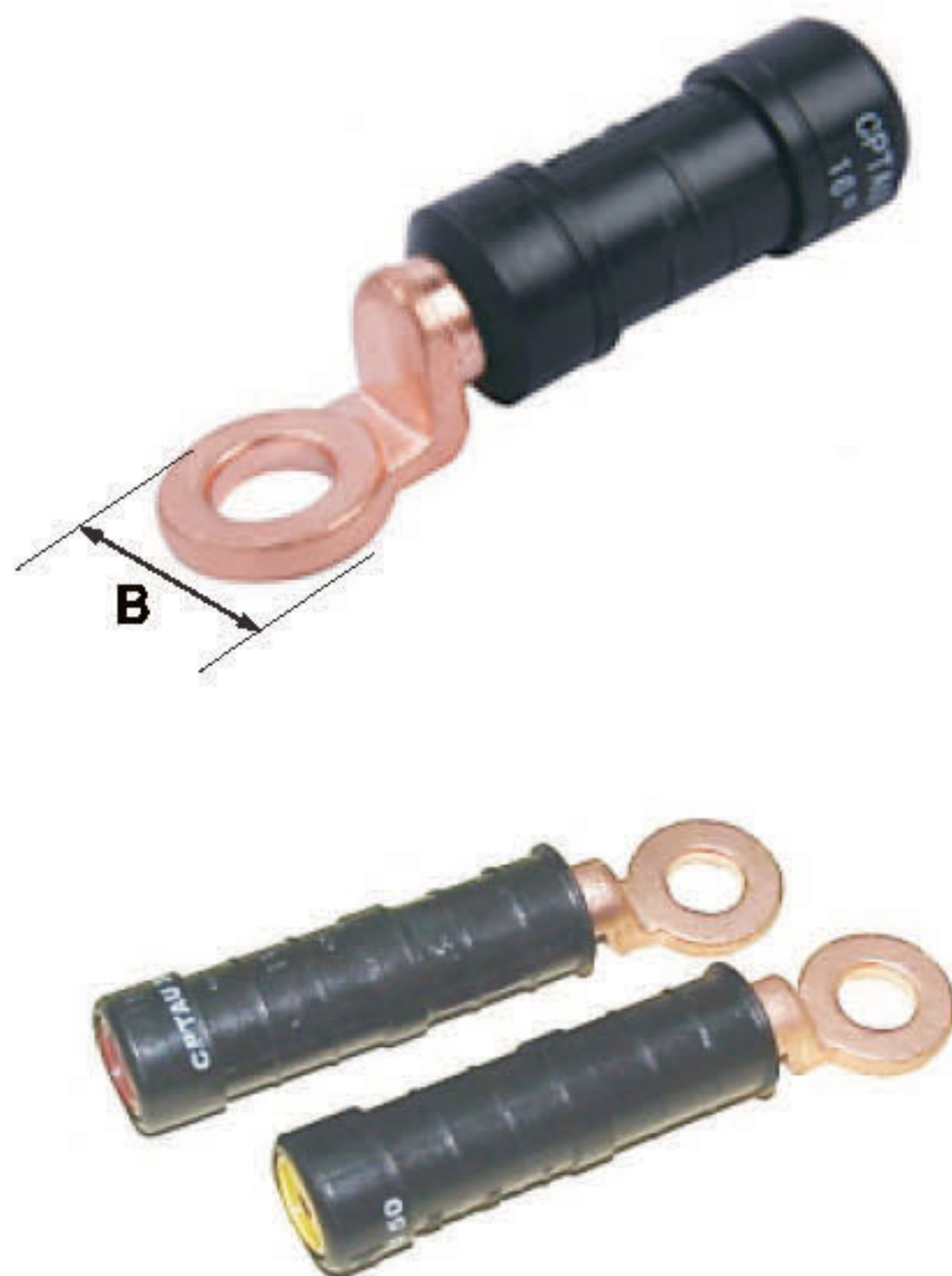
Product Property: MJPT is designed to connect the insulated cable (include ABC cable) in aerial distribution network. It is in accordance with NFC33-021. The sleeve is with some tension. And its cap can prevent the water into the barrel. It is colored differently to distinguish the cable sizes. Marked With type, cable size, die size, inner cable length and number of crimping.



Type	Cable Size (mm ²)		Plastic Sleeve Diameter(mm)	Length (mm)	Color
	A	B			
MJPT 16/16	16	16	17.3	70	Blue
MJPT 25/25	25	25	17.3	70	Orange
MJPT 35/35	35	35	21	99.5	Red
MJPT 50/50	50	50	21	99.5	Yellow
MJPT 70/70	70	70	21	99.5	White
MJPT 95/95	95	95	23.5	137	Gray

Material: E-Cu; AL-99.6%

Product property: CPTAU is designed to connect the insulated cable (include ABC cable). It is in accordance with NFC33-021. The waterproof cap can prevent the water into the barrel. It is colored differently to distinguish the cable sizes. It is marked with type, cable size, die size, inner cable length and number of crimping



Type	Plastic Sleeve Diameter(mm)				Color
	A	B	D	L	
CPTAU16-10	16	20	10.5	73	Blue
CPTAU25-12	20	24	13	98.5	Orange
CPTAU35-12	20	24	13	98.5	Red
CPTAU50-12	20	24	13	98.5	Yellow
CPTAU54.6-12	20	24	13	98.5	White
CPTAU70-12	20	24	13	98.5	Gray
CPTAU95-12	20	24	13	98.5	